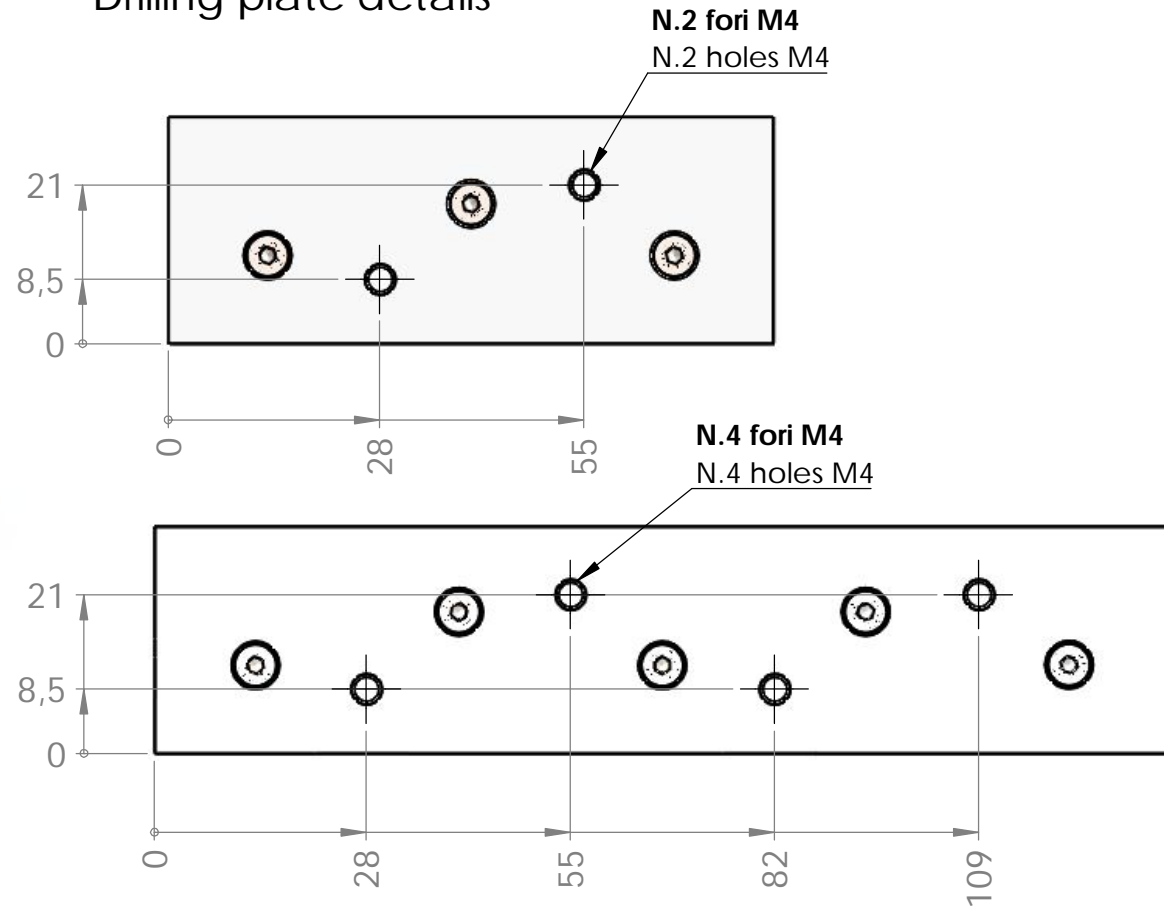


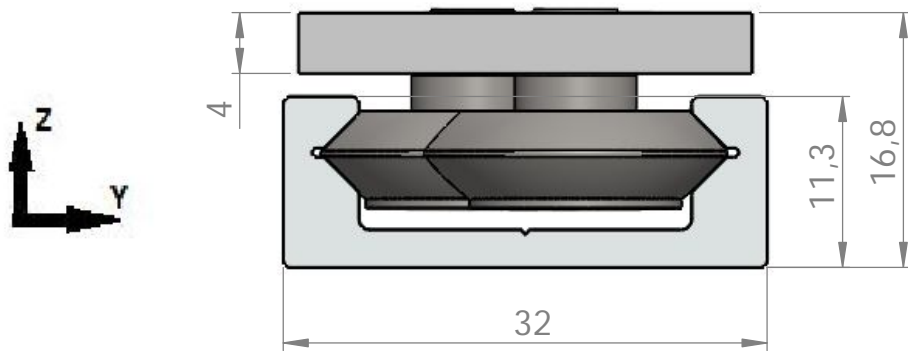


# GUIDA A CURSORE MODELLO "CL" RAIL MODEL "CL"

## Dettaglio foratura piastra Drilling plate details



**NOTA: PIASTA CUSTOMIZZATA SU RICHIESTA**  
**NOTE: CUSTOMIZED SLIDER ONE REQUEST**



**SCALA 2:1**  
SCALE 2:1

CARICO/STRESS	ANELLI ACCIAIO STEEL WHEEL		ANELLI DELRIN DELRIN WHEEL	
	3 ANELLI/BEARINGS	5 ANELLI/BEARINGS	3 ANELLI/BEARINGS	5 ANELLI/BEARINGS
Nz [N]	88.29	137	61.8	96
Ny [N]	118	183	82.4	128
Mx [Nmm]	1174	1822	822	1277
My [Nmm]	2587	4014	1811	2813
Mz [Nmm]	1766	2740	1236	1920

